

**Powerful and economical
with maintenance free
3-phase AC drive motor**

**Sensitive lifting and lowering
from the tiller buttons through
adjustable hydraulic motor speed**

Efficient and quiet hydraulics

**High residual capacities
at high lift heights**

Effortless electric steering (optional)



EJC 212/214/216/220

Electric pedestrian stacker (1200, 1400, 1600 and 2000 kg)

The EJC range 2 pedestrian stackers are specially designed for increased productivity at high lift heights, high residual capacities and long operating times. With their narrow width of only 800 mm (EJC 220: 820 mm) they have the capability of manoeuvring safely and effortlessly in the most confined spaces with the tiller in the upright position.

A powerful 3-phase AC drive motor is an added bonus. Its excellent efficiency ensures high speed with good acceleration

in every application – the best basis for fast, efficient goods throughput.

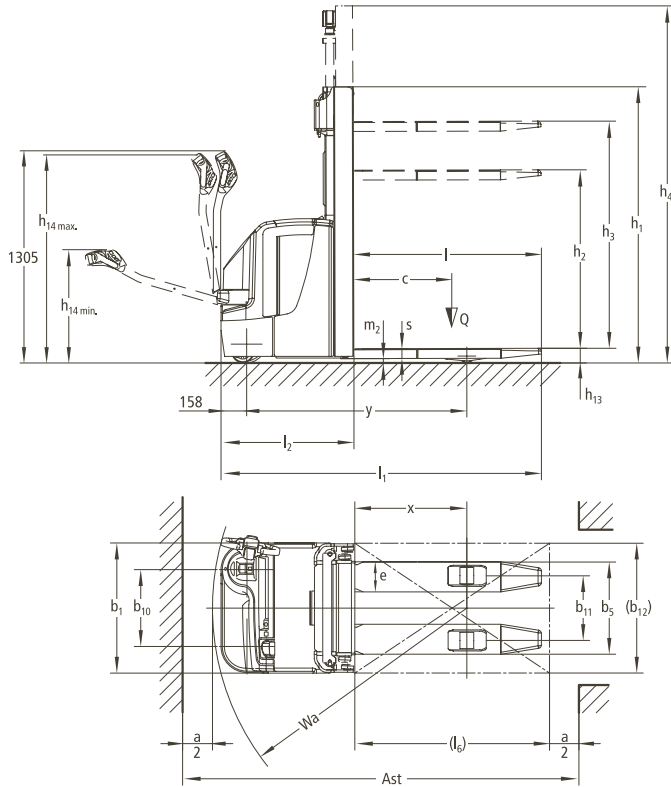
Other advantages as a result of the high specification lifting system:

- Exact and sensitive lifting of the load. This makes the stacking of heavy loads in narrow racking easy.
- Minimum noise during lifting.
- Higher lowering speed without load. The faster lowering of unladen forks, speeds up subsequent load pick-ups.

- Very soft depositing of load/forks on the floor or in the racking through proportional hydraulics.

The EJC 212/214/216/220 takes the required energy from batteries with capacities up to 375 Ah. An integrated charger (optional) provides easy and reliable charging at any 13 amp plug socket.

EJC 212/214/216/220



| Standard mast types (mm) | | | | | | | | | | | | |
|--------------------------|--------------------------|--------------------|----------------------|--------------------------|--------------------------|--------------------|----------------------|--------------------------|--------------------------|--------------------|----------------------|--------------------------|
| Designation | Closed height h_1^* | Free lift h_2 | Lift height h_3 | Extended height h_4 | Closed height h_1^* | Free lift h_2 | Lift height h_3 | Extended height h_4 | Closed height h_1^* | Free lift h_2 | Lift height h_3 | Extended height h_4 |
| | EJC 212/214 | | | | EJC 216 | | | | EJC 220 | | | |
| Two-stage mast ZT | 1750 | 100 | 2500 | 2977 | 1750 | 100 | 2400 | 2927 | 1950 | 100 | 2500 | 3177 |
| | 1850 | 100 | 2700 | 3177 | 1850 | 100 | 2600 | 3127 | – | – | – | – |
| | 1950 | 100 | 2900 | 3377 | 1950 | 100 | 2800 | 3327 | 2100 | 100 | 2800 | 3477 |
| | 2100 | 100 | 3200 | 3677 | 2100 | 100 | 3100 | 3627 | – | – | – | – |
| | 2300 | 100 | 3600 | 4077 | 2300 | 100 | 3500 | 4027 | 2450 | 100 | 3500 | 4177 |
| | – | – | – | – | 2450 | 100 | 3800 | 4327 | – | – | – | – |
| | 2550 | 100 | 4100 | 4577 | 2550 | 100 | 4000 | 4527 | – | – | – | – |
| | 2650 | 100 | 4300 | 4777 | 2650 | 100 | 4200 | 4727 | – | – | – | – |
| Two-stage mast ZZ | 1700 | 1223 | 2500 | 2977 | 1700 | 1173 | 2400 | 2927 | 1900 | 1223 | 2500 | 3177 |
| | 1900 | 1423 | 2900 | 3377 | 1900 | 1373 | 2800 | 3327 | 2050 | 1373 | 2800 | 3477 |
| | 2050 | 1573 | 3200 | 3677 | 2050 | 1523 | 3100 | 3627 | – | – | – | – |
| | 2250 | 1773 | 3600 | 4077 | 2250 | 1723 | 3500 | 4027 | 2400 | 1723 | 3500 | 4177 |
| | 2500 | 2023 | 4100 | 4577 | 2500 | 1973 | 4000 | 4527 | – | – | – | – |
| | 2600 | 2123 | 4300 | 4777 | 2600 | 2073 | 4200 | 4727 | – | – | – | – |
| Three-stage mast DZ | 1830 | 1356 | 4090 | 4565 | 1830 | 1306 | 3990 | 4515 | – | – | – | – |
| | 1900 | 1426 | 4300 | 4775 | 1900 | 1376 | 4200 | 4725 | – | – | – | – |
| | 2030 | 1556 | 4700 | 5175 | 2030 | 1506 | 4600 | 5125 | – | – | – | – |
| | 2250 | 1776 | 5350 | 5825 | 2250 | 1726 | 5250 | 5775 | – | – | – | – |

* ZT mast: at 100 mm free lift

Make use of the advantages

Maximum safety

- The 4-wheel EJC is very stable with its offset drive. This ensures safe and effortless manoeuvring, particularly during stacking and retrieval.
- High residual capacities are achieved with the torsion resistant, clear view mast. Giving high utilisation of all storage locations.
- The low mounted tiller reduces the risk of foot injuries due to a larger distance between operator and chassis. This means a safe distance to truck and load and therefore increased safety for the operator.
- The offset tiller provides excellent visibility past the load for fast, safe operation. The operator is secure within the truck contours during travel.
- Only authorised employees have access to the truck with CanCode (optional). The truck is activated by PIN instead of an ignition key.



High residual capacities promote truck versatility

- Constant travel speed on gradients. The advantage: No uncontrolled and dangerous roll-back.

Minimum operating costs

- Wear-free electro-magnetic brake.
- No carbon brushes – the drive motor is maintenance-free.

Special protection for electric components

- The encapsulation to IP protection class 54 reduces the susceptibility to humidity and dust, and increases the reliability of components and cables.

Highly productive product throughput

- 3-phase AC technology: Efficient goods throughput and fast working cycles are achieved due to powerful acceleration and high top speed. The weight of the load has virtually no effect on acceleration and maximum travel speed.
- Short lift times (even with full load) through compact 3 kW pump motor.
- Smooth depositing of pallets with automatic deceleration of lowering speed (optional).
- Control of all functions with the multi-function tiller head.
- Effortless steering, especially during manoeuvring with tiller in upright position, and crawl speed button via electric steering (optional).

Additional equipment

- ProTrac support wheel.
- Vertical load guard.
- Sideways battery removal.
- Cold store design.



Excellent visibility through slim mast

Jungheinrich UK Ltd.

Head Office:

Sherbourne House · Sherbourne Drive
Tilbrook · Milton Keynes MK7 8HX
Phone 01908 363100
Fax 01908 363180

info@jungheinrich.co.uk
www.jungheinrich.co.uk

Jungheinrich AG
ISO 9001, ISO 14001
Certification of Quality and
Environment Management.



Jungheinrich trucks
conform to the European
Safety Requirements.



JUNGHEINRICH
Well worthwhile